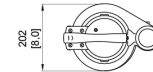
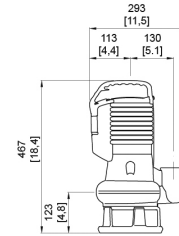
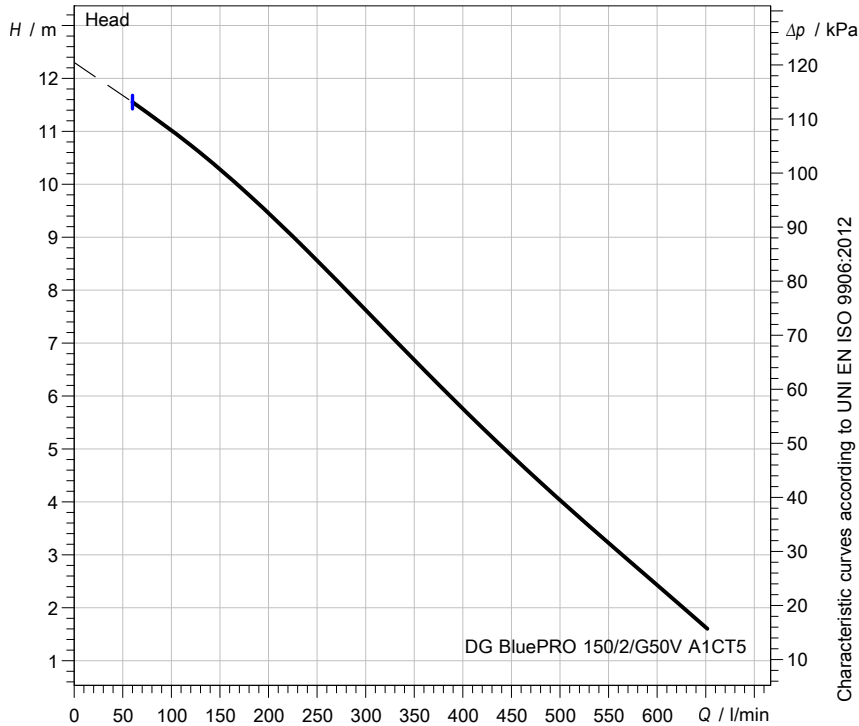




water solutions

Data sheet

DG BluePRO 150/2/G50V A1CT5**blue**
PROFESSIONAL
series**Technical specification****3~ 50 Hz**[mm]
[inch]**Pump**

Series	BluePRO series
Pump name	DG BluePRO 150/2/G50V A1CT5
Configuration	NGNAB51040N00CX
Standard	IEC 60079-0, IEC 60079-15
IECEx mark	Ex nA IIC T3 Gc Ex nA nC IIC T3 Gc

Motor data

Rated voltage	400 V
Frequency	50 Hz
Motor phases	3~
Number of poles	2
Rated power P2	1,10 kW
Incoming power P1	1,60 kW
Rated current	3,2 A
rpm	2795 1/min
Efficiency	69,8 %
cos ϕ	0,71
Rated torque	3,8 Nm
Start	Direct starting
Degree of protection	IP 68
Insulation class	F

Hydraulic

Type	DG (Set-back Vortex)
Free passage	50 mm
Impeller type	Vortex impeller
Max. hydraulic efficiency	-
Suction	-
Discharge	G 2" -
Curve tolerance	UNI EN ISO 9906:2012

Operating limits (standard pumps)

Max. ambient temperature	40 °C
Max. density treated liquid	1100 kg/m ³
Max. immersion depth	20 m
pH treated liquid	6 ÷ 14
Max. start per hour (equally distributed)	30
Wet/dry use	WET
Max. acoustic pressure level	70 dB
Operating mode	S1 - Continuous use

Construction materials

Case	Cast iron EN-GJL 250
Shaft	Stainless steel - AISI 420
Hydraulic	Cast iron EN-GJL 250
Impeller	Cast iron EN-GJL 250
Painting/Coating	Bi-epoxy 80 μ m
Screws	Stainless steel - Class A2-70
Gaskets	NBR
Foot base (if present)	Cast iron EN-GJL 250

Construction features

Main cable	4G1
Control cable	-
Cable length	10 m
Mechanical seals	2 in silicon carbide (2SiC)
Additional drilling	-
Weight*	23 kg
Electrical variant	No electrical device equipped

* cable's weight not included

Rev. 0 - 16-12-2014

All data shown are not binding. Zenit reserves the right to change data and dimensions without notice.

Created on 2017-04-27

zenit.com

Page 1 / 3



water solutions

Data sheet

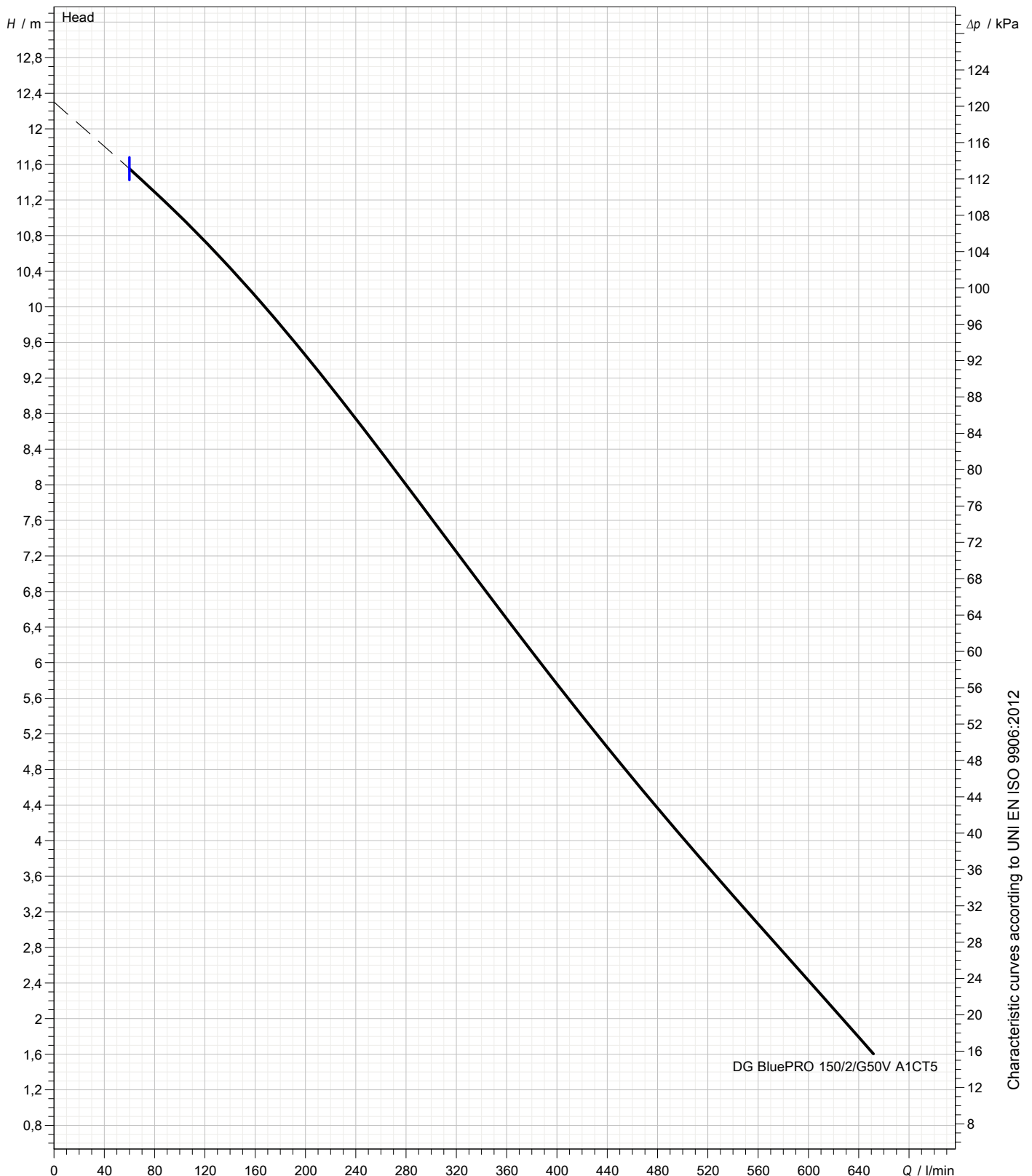
DG BluePRO 150/2/G50V A1CT5

blue
PROFESSIONAL
series

Pump performance curves

3~ 50 Hz

Hydraulic type DG (Set-back Vortex)	Impeller type Vortex impeller	Free passage 50 mm	Discharge G 2"	Suction -	
DUTY POINT					
Flow	Head	Shaft power P2	Hydraulic efficiency	Density 998,2 kg/m ³	Viscosity 1 mm ² /s



Characteristic curves according to UNI EN ISO 9906:2012



water solutions

Data sheet

DG BluePRO 150/2/G50V A1CT5

blue
PROFESSIONAL
series

Dimensional drawing

3~ 50 Hz

Installation type Installation with bottom coupling device - Vertical outlet + GTP

WET/DRY use: WET

Discharge: G 2" -

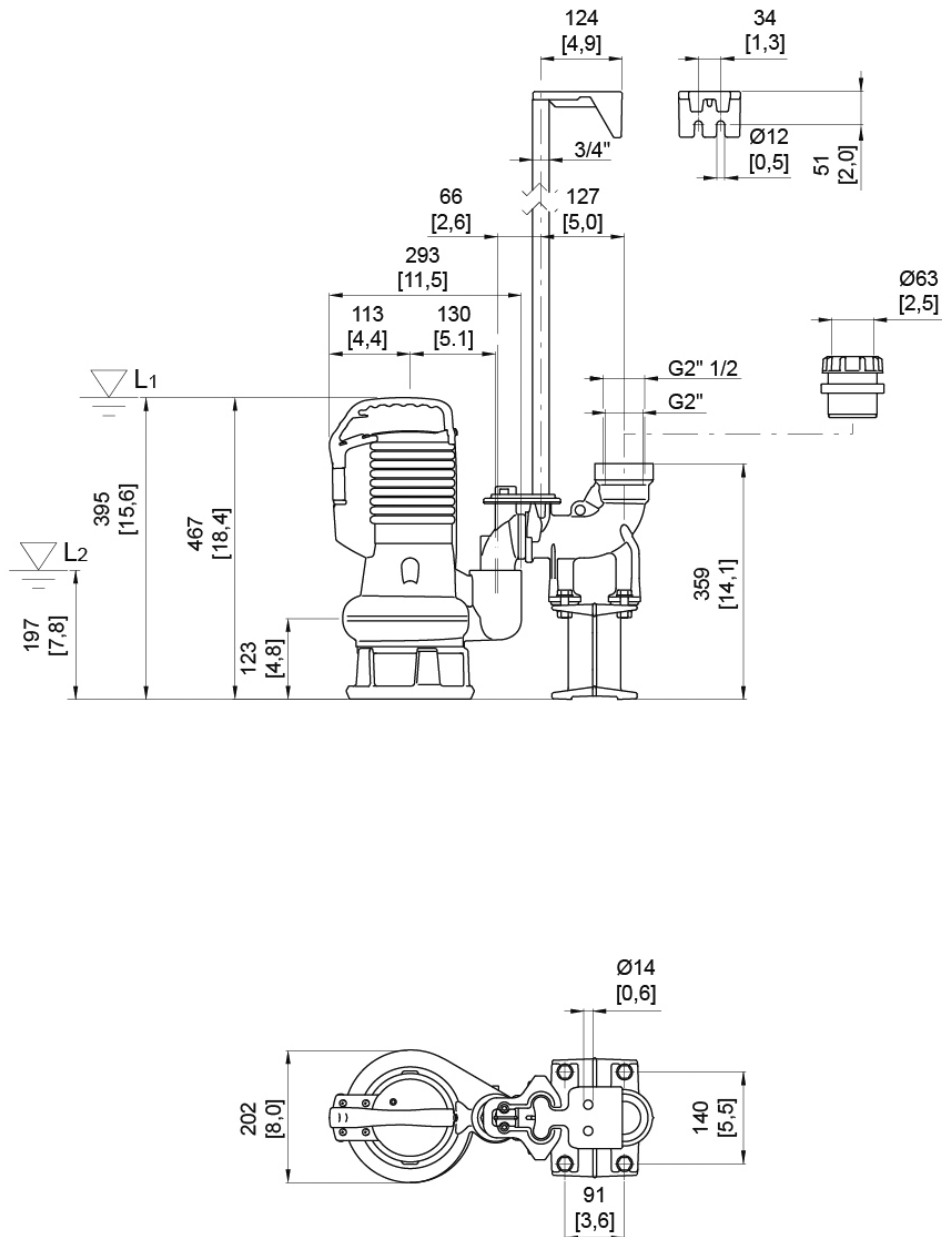
Suction: -

Pressure rating (suction/discharge): -

Accessory * : DAC G50V/G50V-G65V 3/4"+GTP (P)

Accessory code * : 9028.007

* Accessory must be ordered separately



L1: Minimum operating level for continuous use
L2: Minimum operating level for discontinuous use

All data shown are not binding. Zenit reserves the right to change data and dimensions without notice.
zenit.com

[mm]
[inch]

Created on 2017-04-27
Page 3 / 3